

**JETINO®**  
INSPIRE LIFE BETTER



Innovation in  
Every Cup of Coffee

FRESH MILK  
**JL33 SERIES**

Fully Automatic Coffee Machine

# CONTENTS

- Product Highlights
- Product Features
- Core Components
- Product Parameters
- Product Size
- Optional Parts
- Customization Details
- Clean Products
- Product Certificates
- Our Services



# Efficiency and Expertise Combined

## Dual Grinders

Equipped with two PGH64 grinders, able to use two kinds of beans in separate hoppers, more flavors and enhanced efficiency.

## Premium Brewing

Features a P20 brewer with a 20g chamber for optimal flavor extraction, making every cup exceptional.

## Easy Cleaning

Features a design that simplifies maintenance, with detachable components and auto-cleaning options, ensuring hassle-free upkeep.

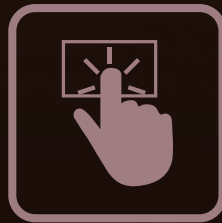




10+ drinks



10.1 inch panel



Multiple Water Supply



One click two cups



Fast Production



Automatic cleaning



Dual Beans



Dual Grinders



ES Extraction



Quick Refilling



Easy Maintenance



Advanced IoT



## Exceptional Quality Derives from Profession



# Exceptional Quality Derives from Profession

2 x Bean Hoppers

1x2L Powder Canisters

1x1.5L Powder Canisters

\*Patent no:201820398027.4

2 x Grinders

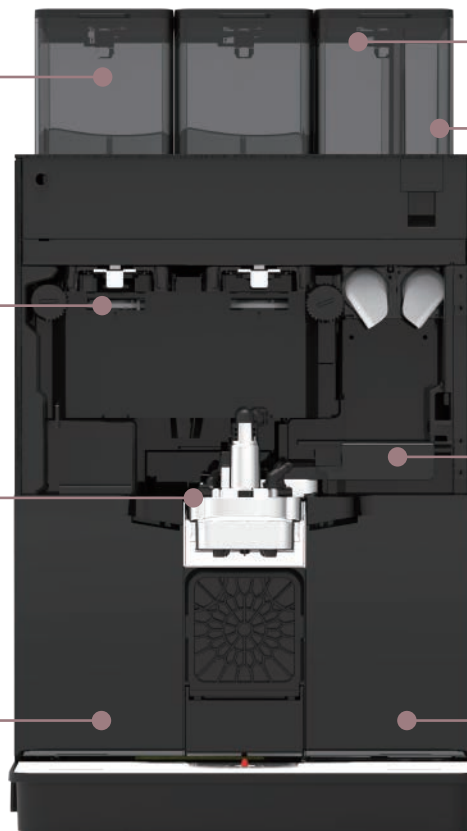
1x Mixer

1 x ES Brewer

\*Patent no:2018104114067

1x Waste Bucket  
(40 cakes)

4L Water Tank  
(optional tap water)





## A Variety of Drinks

The JL33 series offers a rich variety of beverages, blending fresh ground coffee, creamy milk, and smooth foam with select instant ingredients for diverse tastes. Models JL33A and JL33C further expand drink options with dual instant canisters, making every cup a tailored taste adventure.



## Dual Boilers and Dual Pumps

The JL33 series boasts dual boilers and pumps, ensuring swift and simultaneous coffee brewing and milk steaming. This setup maintains a stable temperature for optimal flavor extraction while enhancing efficiency—ideal for those seeking cafe-quality drinks in business or commercial settings.

## More Details of Outstanding Designs



### Built-in water tank

The 4L water tank is built inside the machine.



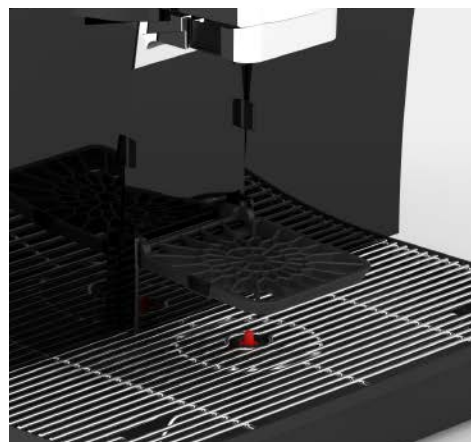
### Separate Water Outlet

Take hot water easily at just a button.



### One Click Two Cups

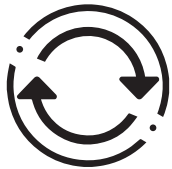
Doppio enjoyment of espresso and milk drinks.



### Low-Cup Tray

Considerate for both big and small size cups.

## Multiple Options of Cleaning



### Start-up Cleaning

The machine will automatically make full machine cleaning every time it is powered on.



### Timed Cleaning

schedule a time and the machine will conduct an auto full-machine cleaning.



### Milk System Cleaning

schedule a time and the milk system is able to have auto cleaning, removing the milk dregs and residue.



### Partial Cleaning

choose to separately clean key modules.



### Deep Cleaning

use exclusive cleaners to deeply clean coffee and milk residue.



### Manual Cleaning

Manually remove the module or parts and deeply clean by hand.

# Powerful IoT Solution

Jetinno SaaS  
Management Platform



## Remote Control

Support remote control of recipes adjustment, machine setting, UI ads and video upload, machine system upgrade.

## Malfunction Alert

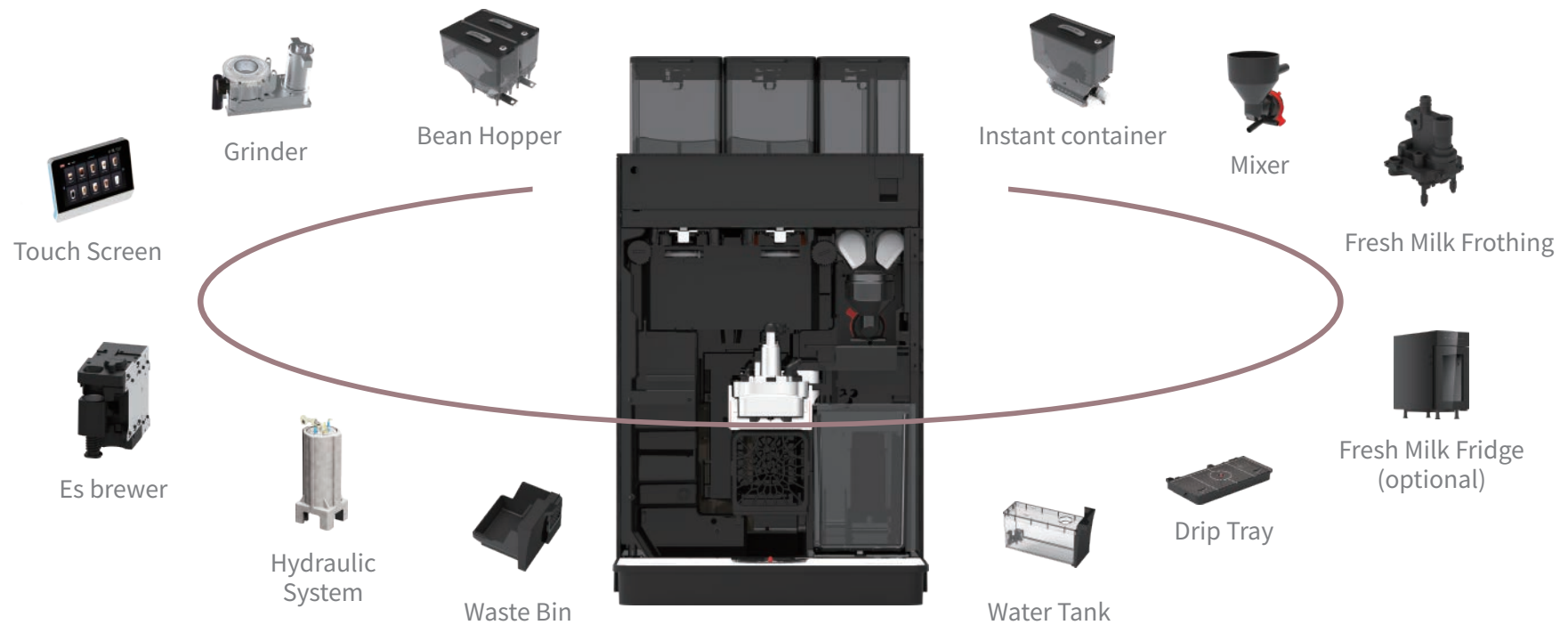
Real time machine malfunction alert, can push notice to machine operator.

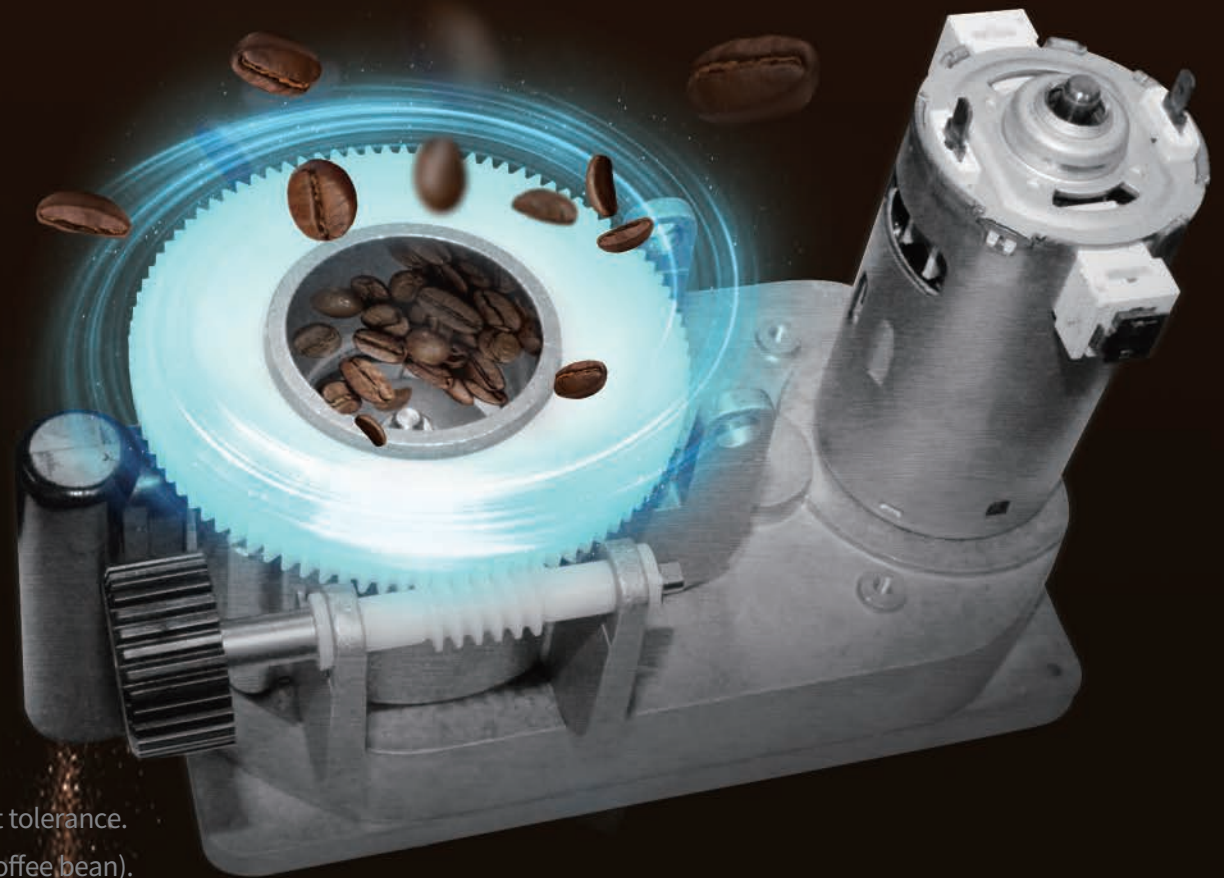
## Comprehensive Data

Location deployment data, drink sale data, payment data, all these data statistics help operator better in machine operation and coffee vending business.

## Modular Design

The combination of modules has been fully considered in the design stage, and the beverage production modules such as coffee extraction module and instant module are flexibly combined into one machine to facilitate customers to put into different scenarios to meet user beverage needs.



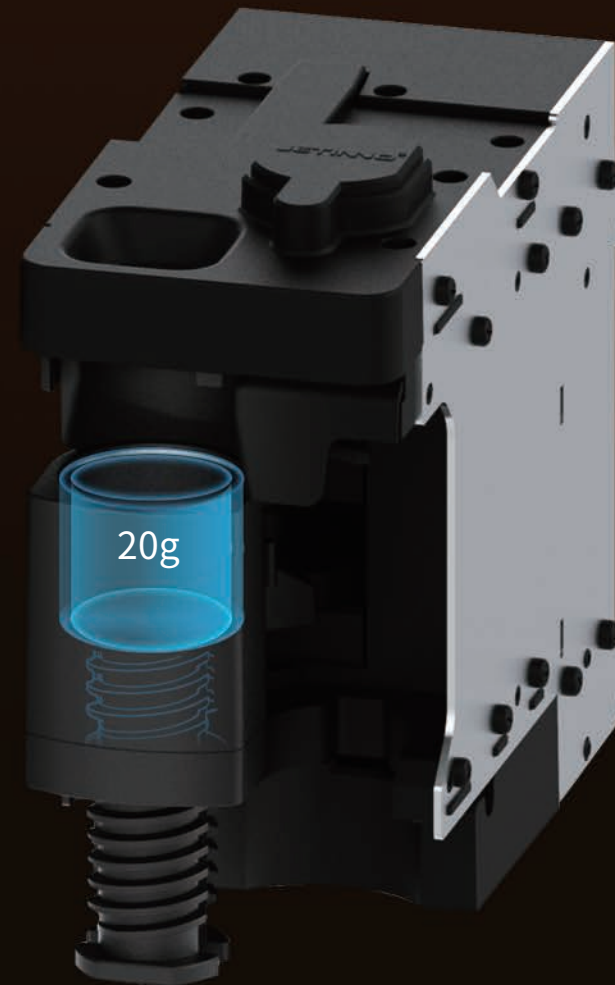


## Jetinno grinder

- Patented tech innovated by Jetinno.
- European well-known grinding blade brand.
- 64mm Flat burr grinder, special made steel, high impact tolerance.
- Grinder lifetime: 62500 times( can grind approx 500kg coffee bean).
- Adjustable coffee ground fineness, easy to use.

## Professional coffee brewing system

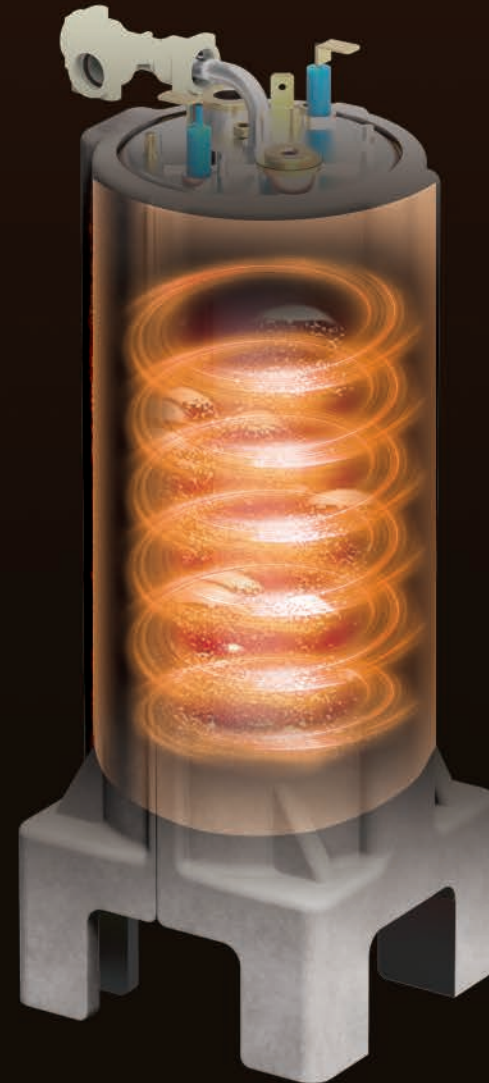
- Removable brewer module design, easy for cleaning.
- 9bar 92°C Espresso extraction, compatible with low-pressure brewing.
- European time-honored brand applies the same type.
- Pre-infusion function to have saturated extraction.
- Built with 14g and 20g two brewing chambers, for different recipes.
- Detachable brewing chamber design, easy for deep-cleaning.
- Auto decompression function to discharge residual coffee liquid.



\*14g optional

## Jetinno Patented Hydraulic System

- 2700W heating power, continuous and stable water temperature guaranteed.
- Sweden Backerths 700ml stainless high-pressure boiler, max 25bar tolerance.
- USA EMERSON professional STB temperature control protective switch.
- Japan OMRON temperature/pressure sensor, real-time monitoring.
- Italy ULKA high -pressure electromagnetic pump, provides 9Bar extraction pressure.
- Other valve joints spare parts, flow meter are all Italy and German made.



## High speed stirring system

- Patented tech innovated by Jetinno.
- Detachable stirring chamber, easy for cleaning and maintenance.
- Up to 20000rpm stirring speed, rapid sufficient dissolution.
- Adjustable stirring speed for different recipes.( milk foam requires high speed, instant coffee and tea drinks require low speed).





## Hot Milk Frothing System

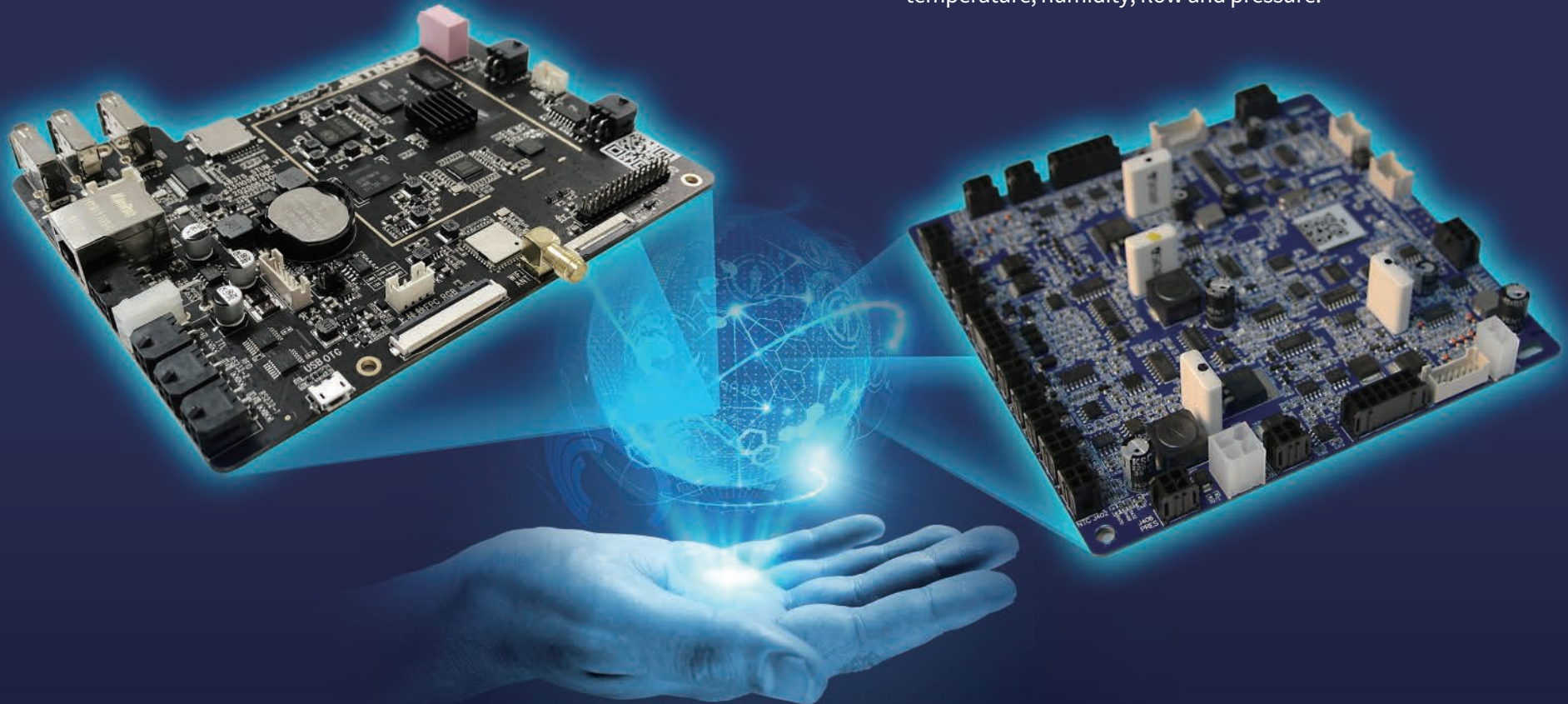
- Produces hot milk/foamed milk with a temperature of 60°C or above.
- Independently adjusts the froth volume in the beverage.
- Timed automatic cleaning of the milk path.
- Snap-on design allows for quick disassembly.

## Multi-function main board

- Designed and developed by Jetinno.
- 8 core Cortex A7 CPU, 2GHz.
- Multiple network ports for network connection.
- Multiple displaying format ports and dual screen displaying.
- Up to 10-way ports expansion.
- Android system.

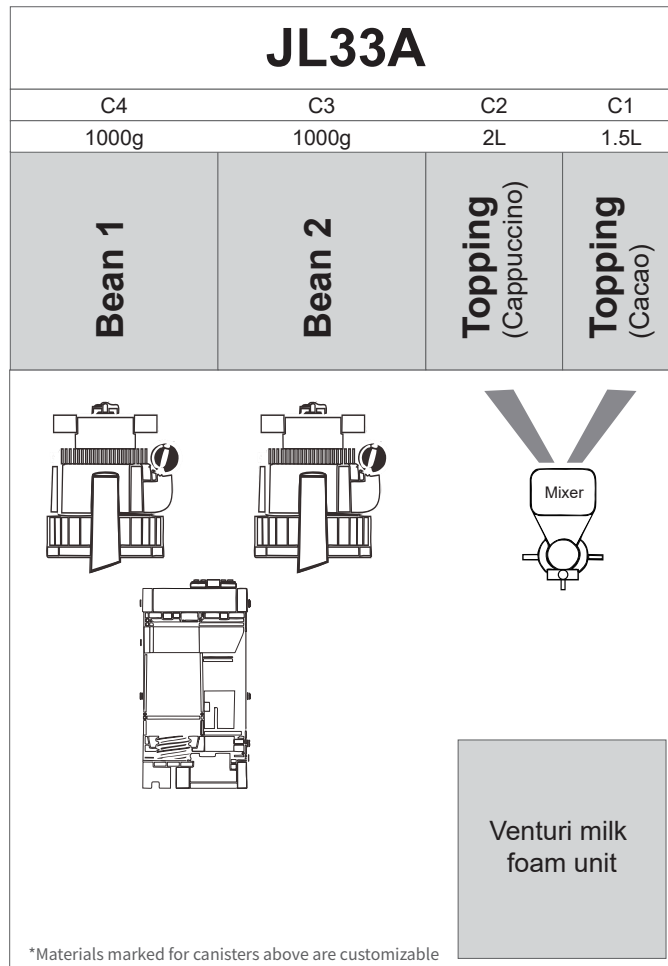
## IO board

- Designed and developed by Jetinno.
- Quick response.
- Fast protection for malfunctioned unit.
- Precisely control all module units.
- Multiple ports expansion, can independently support 25-way control unit.
- Support various types of sensors, including temperature, humidity, flow and pressure.





Configuration	JL33A	JL33B	JL33C	JL33D
Daily Output	200	200	200	200
Dimensions (W*H*D)	350*628*560mm	350*628*560mm	350*628*560mm	350*628*560mm
Net Weight	33kg	32kg	32kg	31kg
Rated Voltage/Frequency	220-240V 50/60Hz	220-240V 50/60Hz	220-240V 50/60Hz	220-240V 50/60Hz
Rated Power	2900W	2900W	2900W	2900W
Screen	10.1" touch screen	10.1" touch screen	10.1" touch screen	10.1" touch screen
Bean Hopper	2x 1000g	2x 1000g	2x 1000g	2x 1000g
Canisters	1x 2L + 1x 1.5L	x	1x 2L + 1x 1.5L	x
Grinder	2x Jetinno PGH64	2x Jetinno PGH64	2x Jetinno PGH64	2x Jetinno PGH64
Espresso brewer	P20x1 (P14 Optional)	P20x1 (P14 Optional)	P20x1 (P14 Optional)	P20x1 (P14 Optional)
Mixer	1	x	1	x
Water Boiler	1x700mL,2700W	1x700mL,2700W	1x700mL,2700W	1x700mL,2700W
Steam Boiler	Thermoblock, 1400W	Thermoblock, 1400W	x	x
Water Pump	piston pump x 2	piston pump x 2	piston pump x 1	piston pump x 1
Spout Height	160mm (with cup tray)	160mm (with cup tray)	160mm (with cup tray)	160mm (with cup tray)
Fresh Milk Foam	√	√	x	x
Fresh Milk Fridge	4L (optional)	4L (optional)	x	x
Separate Hot Water	√	√	√	√
Waste Bucket	40 cakes, external slag off (optional)			
Drip Tray	0.6L, direct drainage (optional)			
Water Supply	Built-in 4L water tank/mains water/barrel water			
Internet	WiFi (default) 4G (optional)			
Payment	MDB protocol (bill, coin, Nayax, Payter, Gantner, etc.), QR code			
OS	Android			
IOT	Optional			

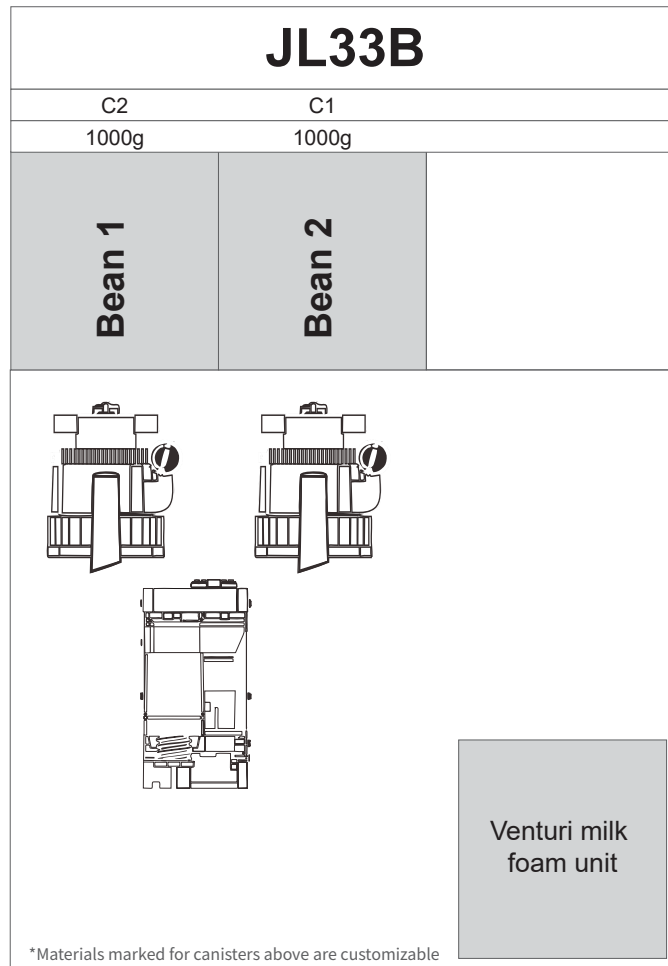


Configurations	Parameter specification
Displaying screen	10.1" touch screen
Bean hopper	2x 1000g
Canisters	1x 2L + 1x 1.5L
Grinder	2x Jetinno PGH64
Espresso brewer	P20x1 / P14
Mixer	1
Hot water boiler/Steam boiler	1 x 700mL,2700W、Thermoblock, 1400W
Water Pump	2 x piston pump
Waste bin	40 cakes, external slag off (optional)
Drip tray	0.6L, external drainage(optional)
Spout height	160mm (with cup tray)
Water supply	Built-in 4L water tank/mains water/barrel water
Power Supply	220-240V 50/60Hz
Rated Power	2900W
Dimensions (W*H*D)	350*628*560mm
Net weight	33kg
<b>Main drinks: Espresso, American coffee, Long coffee, Cappuccino, Latte, Mocha, Milk, Cocoa</b>	

**Daily Output:**  
**200 Cups/Daily**

Drinks Outpt(based on protocol DIN18873-2 hourly output)

	Single	Double		Single	Double
Espresso:	86	146	Cappuccino:	76	85
Americano:	69	83	Hot water:	89	
Long coffee:	64	84			



Configurations	Parameter specification
Displaying screen	10.1" touch screen
Bean hopper	2x 1000g
Canisters	/
Grinder	2x Jetinno PGH64
Espresso brewer	P20x1 / P14
Mixer	/
Hot water boiler/Steam boiler	1 x 700mL,2700W、Thermoblock, 1400W
Water Pump	2 x piston pump
Waste bin	40 cakes, external slag off (optional)
Drip tray	0.6L, external drainage(optional)
Spout height	160mm (with cup tray)
Water supply	Built-in 4L water tank/mains water/barrel water
Power Supply	220-240V 50/60Hz
Rated Power	2900W
Dimensions (W*H*D)	350*628*560mm
Net weight	32kg
Main drinks: Espresso、American coffee、Long coffee、Cappuccino、Latte、Milk、Cocoa	

**Daily Output:**  
**200 Cups/Daily**

Drinks Outpt(based on protocol DIN18873-2 hourly output)

	Single	Double		Single	Double
Espresso:	86	146	Cappuccino:	76	85
Americano:	69	83	Hot water:	89	
Long coffee:	64	84			

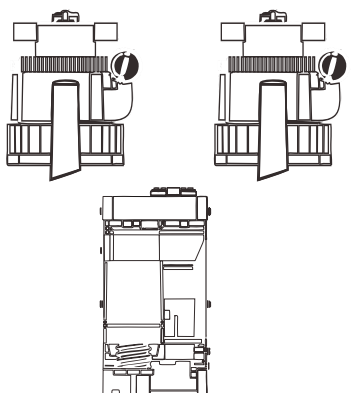
JL33C			
C4	C3	C2	C1
1000g	1000g	2L	1.5L
<b>Bean 1</b>	<b>Bean 2</b>	<b>Topping</b> (Cappuccino)	<b>Topping</b> (Cacao)
<small>*Materials marked for canisters above are customizable</small>			

Configurations	Parameter specification
Displaying screen	10.1" touch screen
Bean hopper	2x 1000g
Canisters	1x 3L + 1x 2L
Grinder	2x Jetinno PGH64
Espresso brewer	P20x1 / P14
Mixer	1
Hot water boiler	1 x 700mL,2700W
Water Pump	1 x piston pump
Waste bin	40 cakes, external slag off (optional)
Drip tray	0.6L, external drainage(optional)
Spout height	160mm (with cup tray)
Water supply	Built-in 4L water tank/mains water/barrel water
Power Supply	220-240V 50/60Hz
Rated Power	2900W
Dimensions (W*H*D)	350*628*560mm
Net weight	32kg
Main drinks : Espresso, American coffee, Long coffee, Cappuccino, Latte, Mocha, Milk, Cocoa	

**Daily Output:**  
**200 Cups/Daily**

Drinks Outpt(based on protocol DIN18873-2 hourly output)

	Single	Double		Single	Double
Espresso:	86	146	Long coffee:	64	84
Americano:	69	83	Hot water:	89	

<b>JL33D</b>		
C2	C1	
1000g	1000g	
<b>Bean 1</b>	<b>Bean 2</b>	
		
<p><small>*Materials marked for canisters above are customizable</small></p>		

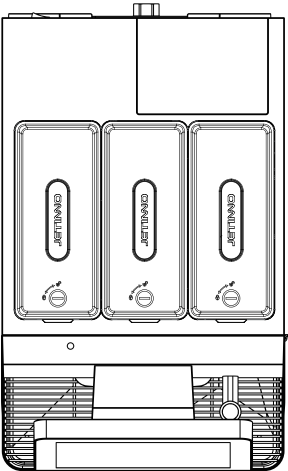
Configurations	Parameter specification
Displaying screen	10.1" touch screen
Bean hopper	2x 1000g
Canisters	/
Grinder	2x Jetinno PGH64
Espresso brewer	P20x1 / P14
Mixer	/
Hot water boiler	1 x 700mL,2700W
Water Pump	1 x piston pump
Waste bin	40 cakes, external slag off (optional)
Drip tray	0.6L, external drainage(optional)
Spout height	160mm (with cup tray)
Water supply	Built-in 4L water tank/mains water/barrel water
Power Supply	220-240V 50/60Hz
Rated Power	2900W
Dimensions (W*H*D)	350*628*560mm
Net weight	31kg
Main drinks : Espresso, American coffee, Long coffee	

**Daily Output:**  
**200 Cups/Daily**

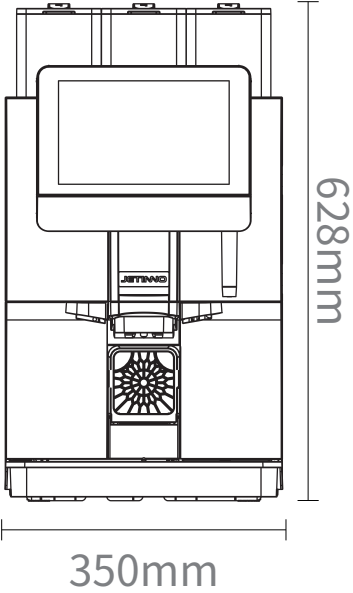
Drinks Outpt(based on protocol DIN18873-2 hourly output)

	Single	Double		Single	Double
Espresso:	86	146	Long coffee:	64	84
Americano:	69	83	Hot water:	89	

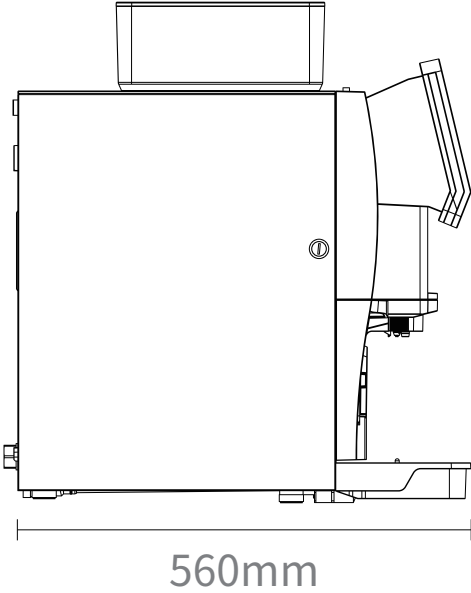
Top view



Front view



Side view



Package size: :640 (W) \*500 (D) \*700 (H) mm



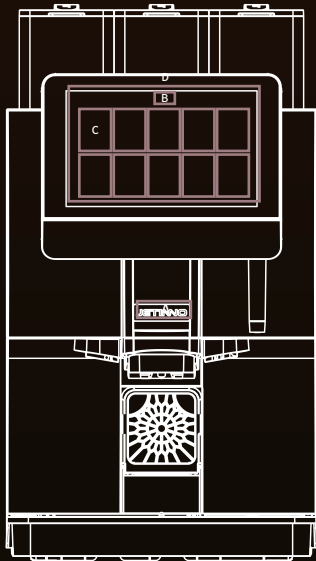
Optional module	Optional or not
Waste Water Drainage	Optional
External Grounds Bin	Optional
Fresh Milk Fridge	Optional
4G Router	Optional

Payment module	Optional or not
Reverse QR Code Payment	Optional
Bill Validator	Optional
Coin Validator	Optional
RFID Payment	Optional
MDB Cashless	Optional



## Fresh Milk Fridge

Item	Parameter
EXternal Dimension	220 (w) *480 (h) *450 (d) mm
Inside Dimension	160 (w) *280 (h) *190 (d) mm
Control	Electronic
Inside Materials	ABS
Opening	Two sides
Temperature	0-4°C
Fridge Volume	6.5L
Milk Tank	4L
Refrigerant	R600a



## UI customization

Name	Position	Width	Height	Format
Brand LOGO	A	63mm	19mm	AI or cdr
UI LOGO	B	207PX	57PX	PNG
UI drink picture	C	708PX	1038PX	PNG
Video ads	D	1280PX	800PX	PNG

## Deep customization

Name	Item
Ports	Open underlying control serial port protocol, support customer self-developed APP.
	Open network interface(TCP/IP), support customer self-developed server.
	Open RESTful interface, support customer online store and data system.
OS	APP application layer customizable development (Android).



Product: milk system cleaner for coffee machine

Usage: use 1 pill with 500m water (40°C recommended)

Details: 4g/pill, 120pills/bottle



Product: coffee machine boiler cleaner

Use: used for coffee machine boiler cleaning

Ratio: 200g powder with 3.9L water

Details: 1kg/bottle, 6 bottles/case



Product: coffee machine cleaner

Use: used for coffee machine brewer cleaning

Details: 2g/pill, 100 pills/can



Product: cleaning brush

Use: used for coffee machine cleaning and maintenance

Details : general use



Product: tower

Use: used for coffee machine cleaning and maintenance

Details : general use



### Security Certification



### Food Contact Material

EU 1935/2004  
European food test

Europe

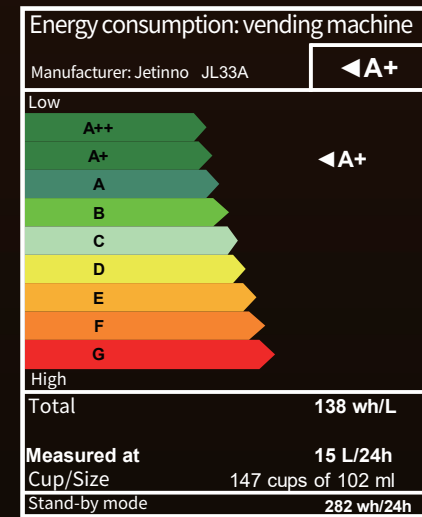
LFGB  
German



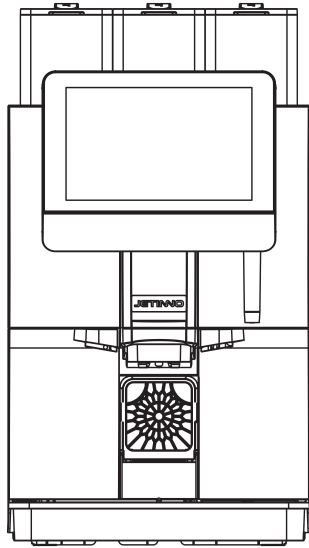
US

GB  
GB4806  
China

### Europe EVA energy consumption level A



95% Recycled



Guangzhou Jetinno Intelligent Equipment Co., Ltd

Address: 4F, No. 2, Ruitai Road, Huangpu District, Guangzhou, China

Tel: 400-017-9997

E-mail: [inquiry@jetinno.com](mailto:inquiry@jetinno.com)

Website: [www.jetinnomachine.com](http://www.jetinnomachine.com)

[www.jetinnovending.com](http://www.jetinnovending.com)